



Pump Model - version

EUROINOX 40-80 M - N.3.- -

Attention: check the correspondence with the serial number of the pump.

Company Name
Contact
Telephone
FAX
E-Mail address

Receiver

From

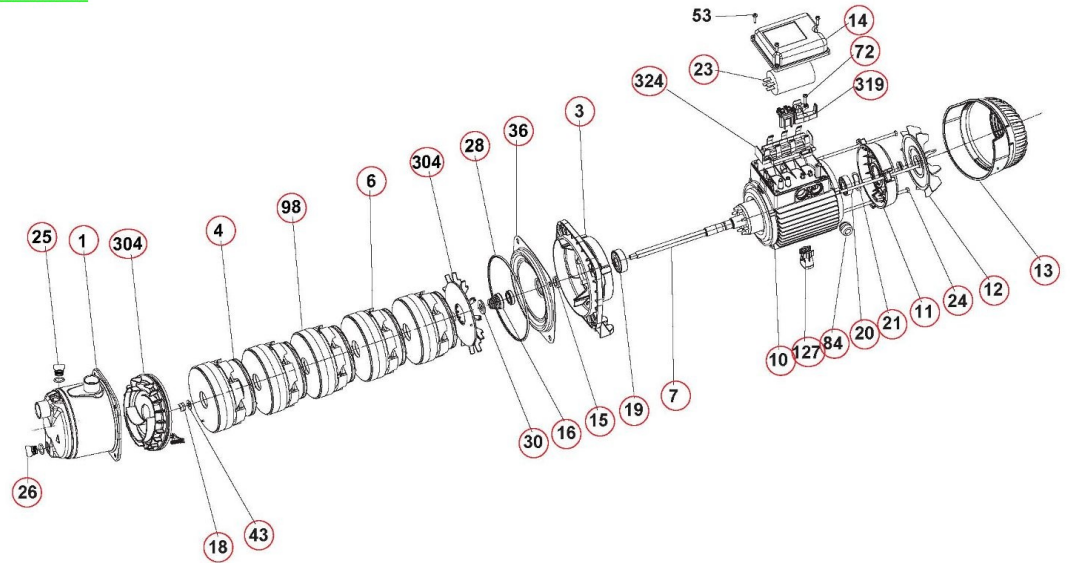
Serial Number

EUROINOX 40-80 M - N.3.- - @ 102970360_c

EUROINOX 40-80 M @ 102970360

| Item | Quant | Item no. | Description | Unit pr. |
|------|-------|-----------|---------------------------------------|----------|
| 1 | 1 | 148121110 | SP.P. PUMP BODY | On req. |
| 10 | 1 | 130645720 | &SP.P.MOTOR MEC71 H90 01 220/240/50 | On req. |
| 11 | 1 | 164030020 | MEC 71 MOTOR COVER | On req. |
| 12 | 1 | 160760240 | FAN MEC71 | On req. |
| 127 | 1 | 161560190 | MOTOR FOOT MEC71 | On req. |
| 13 | 1 | 147120540 | KIT FAN COVER W/SCREW MEC71/01 | On req. |
| 14 | 1 | 164060410 | TERMINAL BOX COVER | On req. |
| 15 | 1 | 002210558 | V-RING D.13,5-15X5,5H | On req. |
| 16 | 1 | 148620490 | COMPLETE MECH.SEALD.15 | On req. |
| 18 | 1 | 002520633 | HEX.NUT AUTOB.M8 INOX A4 UNI7474 | On req. |
| 19 | 1 | 002310103 | 6302-2RSH D.15X42X13 BEARING | On req. |
| 20 | 1 | 002310102 | 6202-2RSH D.15X35X11 BEARING | On req. |
| 21 | 1 | 002570001 | LMKAS D.35B THRUST WASHER | On req. |
| 23 | 1 | 002710018 | 25 UF X 450V CAPACITOR MAX D.45X 71MM | On req. |
| 24 | 3 | 167100660 | M5 X 160 MOTOR TIE ROD | On req. |
| 25 | 1 | 147120340 | PRIMING PLUG 3/8" GAS +O-RING | On req. |
| 26 | 1 | 147120340 | PRIMING PLUG 3/8" GAS +O-RING | On req. |
| 28 | 1 | 002220377 | OR-4600 151,99X 3,53 NBR | On req. |
| 3 | 1 | 161430090 | MOTOR SUPPORT MEC 71 | On req. |
| 30 | 1 | 168300150 | SEAL WASHER A.316 | On req. |
| 304 | 1 | 161060560 | REAR DISC | On req. |
| 305 | 1 | 142860070 | SP.P. FLANGE | On req. |
| 319 | 1 | 146860000 | PREMON.MORSET-FERMAC. | On req. |
| 324 | 1 | 168560331 | CAPACITOR LOCKER MEC63-71 | On req. |
| 328 | 1 | 168300240 | PUMP BODY WASHER | On req. |
| 36 | 1 | 161000290 | DISC SEAL.A.304 | On req. |
| 4 | 5 | 150761101 | IMPELLER AISI316 GFN2 | On req. |
| 43 | 1 | 002523059 | WASHER 8,4X17 AISI316 UNI6592 | On req. |

NON INTERACTIVE



| | | | | |
|---------|------------|------------|--------------------------|-------------|
| Project | Project ID | Created by | Created on 2011-01-07 | Last update |
|---------|------------|------------|--------------------------|-------------|



Pump Model - version

EUROINOX 40-80 M - N.3.- -

Company Name
Contact
Telephone
FAX
E-Mail address

Attention: check the correspondence with the serial number of the pump.

Receiver

From

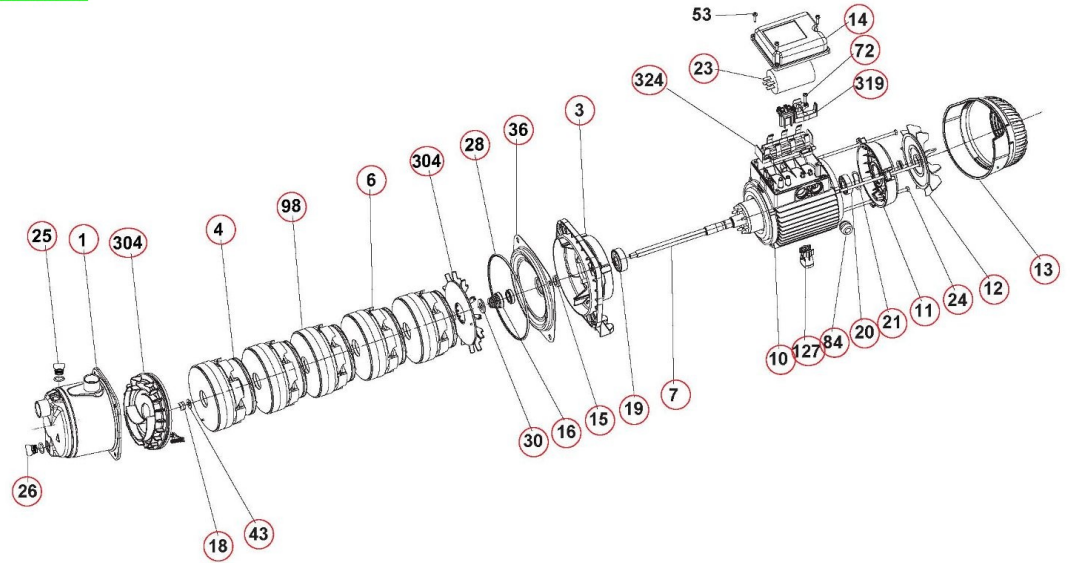
Serial Number

EUROINOX 40-80 M - N.3.- - @ 102970360_c

EUROINOX 40-80 M @ 102970360

| Item | Quant | Item no. | Description | Unit pr. |
|------|-------|-----------|----------------------|----------|
| 6 | 5 | 162860490 | DIFFUSER -NORYL- | On req. |
| 7 | 1 | 145003010 | SP. P. SHAFT W/ROT. | On req. |
| 84 | 1 | 168560310 | OPEN CABLE GLAND | On req. |
| 98 | 5 | 161360480 | DIFFUSER BODY -NORYL | On req. |

NON INTERACTIVE



Project

Project ID

Created by

Created on
2011-01-07

Last update